

# TracVision® Satellite Television Application Note



AppNote1301

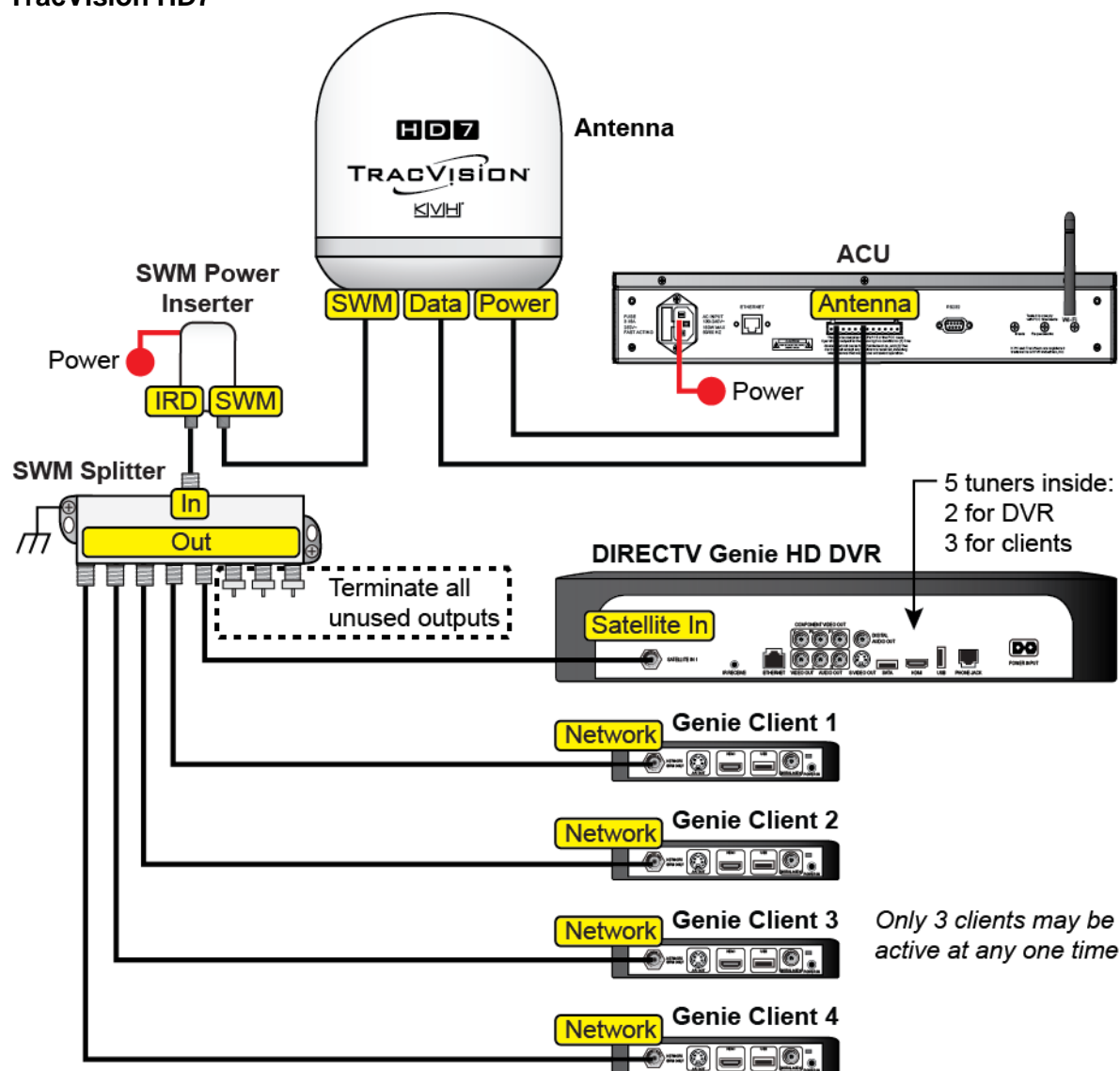
July 5, 2013

## TracVision HD7/HD11 Wiring for a DIRECTV® Genie™ Configuration

DIRECTV's Genie technology allows users to record up to five programs simultaneously and view recorded programming from any location onboard the vessel. A typical configuration consists of a single Genie HD DVR (models HR44, HR34 and above) and one or more Genie clients (C31 and above). The Genie HD DVR contains 5 tuners, 3 of which can be shared with Genie clients. Refer to the wiring diagrams below to connect this Genie equipment to a TracVision HD7 or HD11 system.

*Note: DIRECTV limits subscribers to a single Genie network per account. However, customers may also add non-Genie SWM receivers and DVRs to the system (use a SWM expander for more than 8 tuners).*

### TracVision HD7



TracVision HD11

