

TracVision® HD11 LNB Replacement Instructions

These instructions explain how to replace an LNB in a TracVision HD11 system.

Installation Steps

1. Gather Tools and Inspect Parts..... 3
2. Disconnect the Power/Data Cable 4
3. Access the LNB 5
4. Remove the Faulty LNB 6
5. Install the New LNB..... 7
6. Complete the Procedure..... 8

Who Should Perform this Procedure?

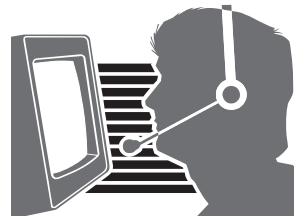
To ensure a safe and effective replacement, KVH requires that a KVH-certified marine technician performs this procedure. KVH-certified technicians have the necessary tools and electronics expertise. To find a technician near you, visit www.kvh.com/wheretogetservice.

Technical Support

If you need technical assistance, please contact KVH Technical Support:

Europe, Middle East, Africa, Asia
Phone: +45 45 160 180
E-mail: support@emea.kvh.com
(Mon.-Fri., 8 am-4:30 pm, +1 GMT)

North/South America, Australia, New Zealand
Phone: +1 401 847-3327
E-mail: support@kvh.com
(Mon.-Fri., 9 am-6 pm ET, -5 GMT)
(Sat., 9 am-2 pm ET, -5 GMT)



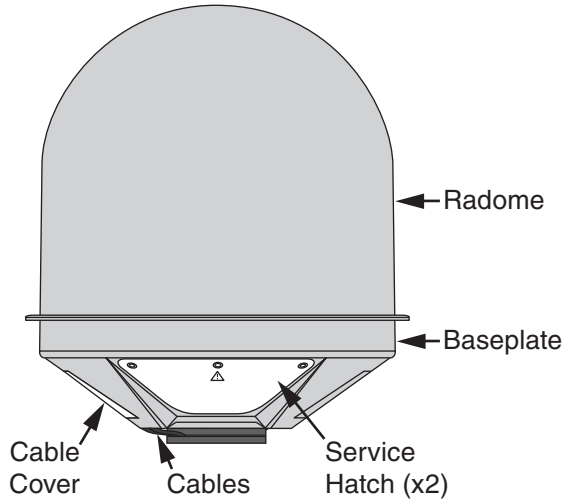
1

Gather Tools and Inspect Parts

Before you begin, follow these steps to make sure you have everything you need to complete the replacement procedure.

- a. Unpack the box and carefully examine all of the supplied parts to ensure nothing was damaged in shipment.
- b. Gather the following tools. You will need these tools to complete the procedure.
 - #1 Phillips screwdriver
 - Cutting pliers
 - 5/32" hex torque wrench (for setting 20-22 in-lbs of torque)
 - 7/16" open-end torque wrench (for setting 18-20 in-lbs. of torque)
 - 9/32" open-end wrench
 - 7/16" socket/ratchet (with 1/4" drive) or nut driver

Figure 1 Antenna Components



2 Disconnect the Power/Data Cable



CAUTION

For your own safety, disconnect power from all wired components before you begin.

- a. Using a #1 Phillips screwdriver, loosen the six #6-32 captive screws and washers securing the cable cover (see Figure 2).
- b. Remove the cable cover.
- c. Disconnect the power/data cable from the antenna (see Figure 3).

Figure 2 Cable Cover Screws

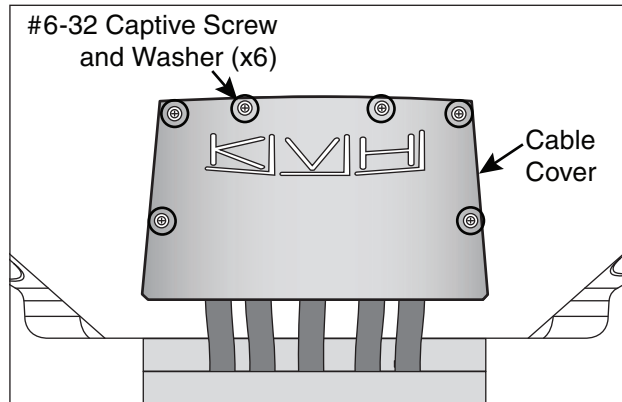
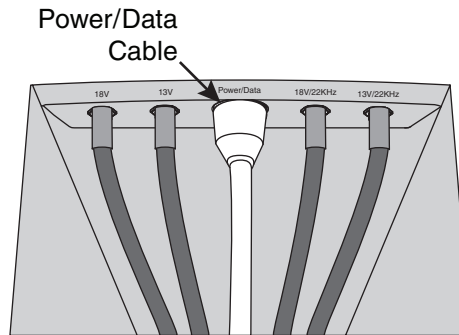


Figure 3 Power/Data Cable



3 Access the LNB

Determine Access Requirements

If the antenna is installed on a pedestal, you can replace the LNB through the service hatches, but be sure to bring a light source with you, as the radome will keep your working area dark. However, if the antenna is installed on a flat surface, such as the deck, you will need to remove the radome.

Access Option A - Use a Service Hatch

Using a 7/16" socket/ratchet (with 1/4" drive) or nut driver, unlock the 3 hex latches securing one of the hatches. Then open the hatch.

Access Option B - Remove the Radome

- a. Using a 5/32" hex wrench, remove the 12 screws and washers securing the radome. Set the washers aside in a safe place and discard the screws. Later, you will reuse these washers with 12 new screws (supplied in the kitpack).
- b. Remove the radome.

Figure 4 Service Hatch Hardware

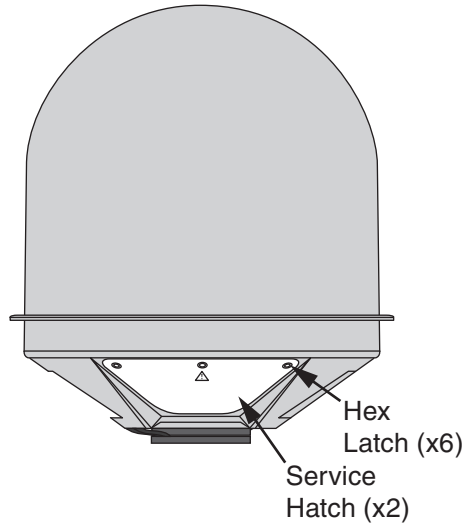
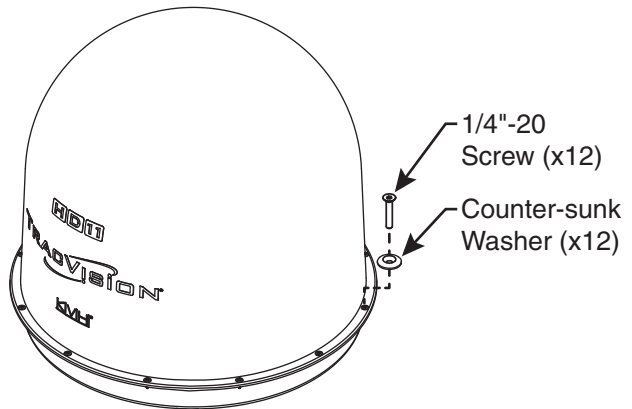


Figure 5 Radome Hardware

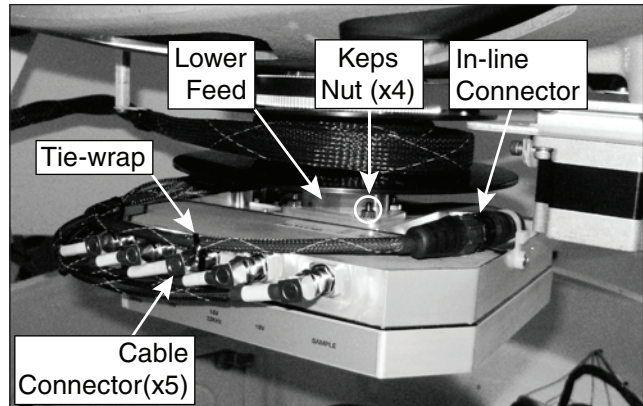


4 Remove the Faulty LNB

Follow the steps below to remove the faulty LNB.

- a. Slowly and gently orient the reflector so it is facing upward.
- b. Hold the in-line connector in place where it is secured by the tie-wrap. Gently press the ends inward, and then twist the locking collar to disconnect the connector (see Figure 6).
- c. Using cutting pliers, cut and remove the tie-wrap shown in Figure 6.
- d. Using a 7/16" open-end wrench, disconnect the RF cables from the LNB (see Figure 6).
- e. Using a 9/32" open-end wrench, remove the four Keps nuts (see Figure 6). Discard the nuts; you will use new nuts (supplied in the kitpack) when securing the new LNB later.
- f. Extract the faulty LNB.

Figure 6 LNB/Cables/Fasteners



5 Install the New LNB

Follow the steps below to install the new LNB.

- a. Press the supplied ring gasket into the LNB, as shown in Figure 7.
- b. Mount the new LNB onto the lower feed, ensuring the gasket remains in place and the cable connectors are facing in the proper direction, aligning with the natural bend of the cables (see Figure 8).
- c. Apply a drop of the supplied Loctite to each of the four studs' threads where the Keps nuts will engage the threads.
- d. Secure the LNB in place using four Keps nuts supplied in the kitpack. Tighten the nuts to approximately 18-20 in-lbs of torque (see Figure 8).
- e. Reconnect the RF cables to the LNB and reconnect the in-line connector (see Figure 8).
- f. Resecure the cable using the tie-wrap supplied in the kitpack, as shown in Figure 8.
- g. To ensure a proper installation, rotate the LNB back and forth and verify it can rotate freely.

Figure 7 Gasket Installation

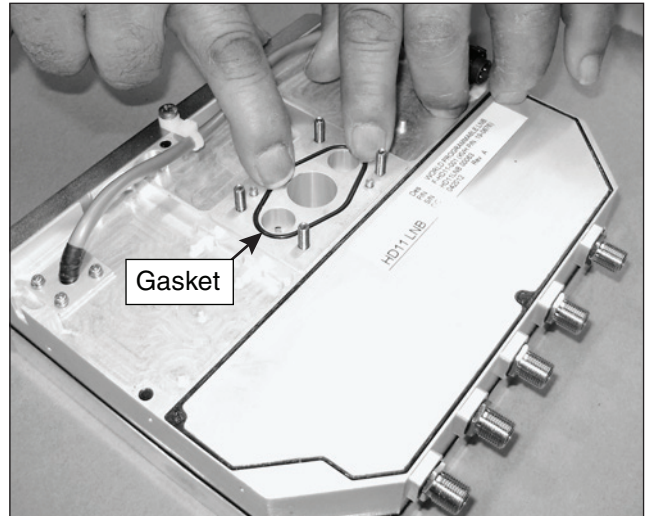
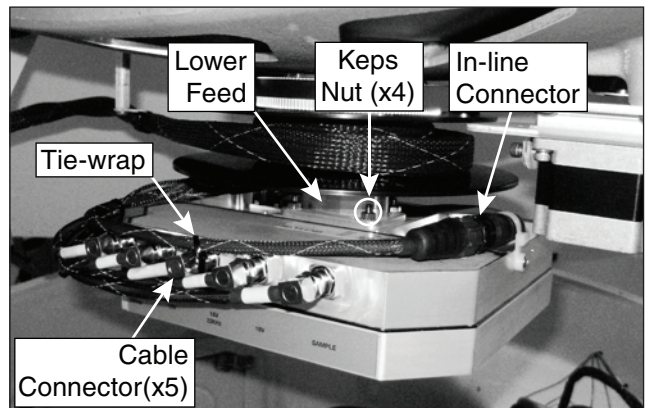


Figure 8 LNB/Cables/Fasteners



6 Complete the Procedure

Service Hatch Reinstallation

If you removed a service hatch, reinstall the hatch and lock it into place.

Radome Reinstallation

If you removed the radome, follow the steps below to prepare the new screws and reinstall the radome.

- a. Mount the radome onto the baseplate.
- b. Resecure the radome using the 12 washers you removed earlier and 12 new 1/4"-20 screws (supplied in the kitpack). Before inserting each screw, apply a drop of Loctite (supplied in the kitpack) to the bottom screw threads. Only hand-tighten the screws for now.
- c. Tighten the screws/washers to approximately 20-22 in-lbs of torque.

Restore Connections

- a. Reconnect the power/data cable. Then reinstall the cable cover and secure it in place.
- b. Restore power to the TracVision system and to any wired components you removed power from earlier.

The procedure is complete!